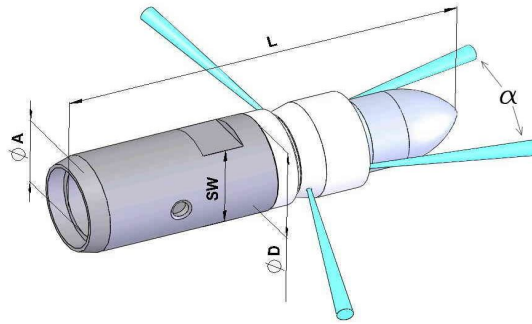


# SISF-Rotor



D mm	L mm	SW mm	a	A	Artikel-Nr. / part-no.		max. A.T. max.W.P. bar / PSI			
										
10	46	8	10°	M7x1F	●	5710138273638	5710138273645	1000/15.000		
				1/16"NPTF	●	5710138273652	5710138273669			
				1/16"UNFMPLHF	○			1500/21.500		
				1/16"UNFMPRHF	○					
11	48	8		5/16"UNFM	○	5710138273676	5710138273683	1000/15.000		
				M8x1F	○	5710138273690	5710138273706			
12	48	10		1/8"NPTF	●	5710138273713	5710138273720	1250/18.000		
				1/8"BSPF	●	5710138273737	5710138273744			
	51			3/8"UNFMPLHF	○	5710138273751	5710138273768	1500/21.500		
				3/8"UNFMPRHF	○	5710138273775	5710138273782			
13	48	ingen / none		1/8"NPTF	●	5710138273799	5710138273805	1250/18.000		
				1/8"BSPF	●	5710138273812	5710138273829			
	51			3/8"UNFMPLHF	○	5710138273836	5710138273843	1500/21.500		
				3/8"UNFMPRHF	○	5710138273850	5710138273867			
15	53	13		M10x1F	○	5710138273874	5710138273881	1000/15.000		
16	53			1/8"BSPF	●	5710138273898	5710138273904			
18	57	16	1/4"NPTF	●	5710138273911	5710138273928	1000/15.000			
			1/4"BSPF	●	5710138273935	5710138273942				
			20	60	17	9/16"UNFMPLHF	○	5710138273959	5710138273966	1500/21.500
						9/16"UNFMPRHF	○	5710138273973	5710138273980	
22	66	19	M14x1F	○	5710138273997	5710138274000	1000/15.000			
			1/4"BSPF	●	5710138274017	5710138274024				
			3/8"NPTF	●	5710138274031	5710138274048				
			3/8"BSPF	●	5710138274055	5710138274062				
28	74	25	30°	1/4"BSPF	●	5710138274079	5710138274086	1250/18.000		
				1/2"NPTF	●	5710138274093	5710138274109			
	82	26		1/2"BSPM	●	5710138274116	5710138274123			
				3/8"BSPM	●	5710138274130	5710138274147			
	86	25		M22x1.5M	●	5710138274154	5710138274161			
				M24x1.5M	●	5710138274178	5710138274185			
74		M10x1F	○	5710138274192	5710138274208					
40	94	ingen / none	40°	M24x1.5F	●	5710138274215	5710138274222	1250/18.000		
				1/4"BSPF	●	5710138274239	5710138274246			
	110	27		1/4"BSPM	●	5710138274253	5710138274260			
				3/8"BSPM	●	5710138274277	5710138274284			
	112	27		1/2"BSPM	●	5710138274291	5710138274307			
				M10x1F	○	5710138274314	5710138274321			
	86	ingen / none		M22x1.5M	●	5710138274338	5710138274345			
				M24x1.5M	●	5710138274352	5710138274369			

Andre gevind efter forespørgsel / Other connections available on request.  
M = Han-gevind / Male thread - F = Hun-gevind / Female thread

●	Standard
○	Special