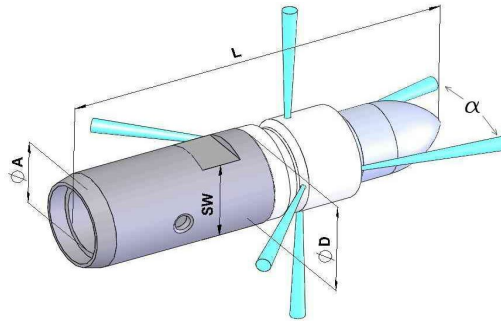


SISFBR-Rotor



D mm	L mm	SW mm	a	A	Artikel-Nr. / part-no.		max. A.T. max.W.P. bar / PSI			
										
10	46	8	10°	M7x1F	●	5710138274376	5710138274383	1000/15.000		
				1/16"NPTF	●	5710138274390	5710138274406			
				1/16"UNFMPLHF	○			1500/21.500		
				1/16"UNFMPRHF	○					
11	48	8		5/16"UNFM	○	5710138274413	5710138274420	1000/15.000		
				M8x1F	○	5710138274437	5710138274444			
12	48	10		1/8"NPTF	●	5710138274451	5710138274468	1250/18.000		
				1/8"BSPF	●	5710138274475	5710138274482			
	51			3/8"UNFMPLHF	○	5710138274499	5710138274505	1500/21.500		
				3/8"UNFMPRHF	○	5710138274512	5710138274529			
13	48	ingen / none		1/8"NPTF	●	5710138274536	5710138274543	1250/18.000		
				1/8"BSPF	●	5710138274550	5710138274567			
	51			3/8"UNFMPLHF	○	5710138274574	5710138274581	1500/21.500		
				3/8"UNFMPRHF	○	5710138274598	5710138274604			
15	53	13		M10x1F	○	5710138274611	5710138274628	1000/15.000		
16	53			1/8"BSPF	●	5710138274635	5710138274642			
18	57	16	1/4"NPTF	●	5710138274659	5710138274666	1000/15.000			
			1/4"BSPF	●	5710138274673	5710138274680				
			20	60	17	9/16"UNFMPLHF	○	5710138274697	5710138274703	1500/21.500
						9/16"UNFMPRHF	○	5710138274710	5710138274727	
22	66	19	M14x1F	○	5710138274734	5710138274741	1000/15.000			
			1/4"BSPF	●	5710138274758	5710138274765				
			3/8"NPTF	●	5710138274772	5710138274789				
			3/8"BSPF	●	5710138274796	5710138274802				
28	74	25	30°	1/4"BSPF	●	5710138274819	5710138274826	1250/18.000		
	78			1/2"NPTF	●	5710138274833	5710138274840			
	82	1/2"BSPM		●	5710138274857	5710138274864				
		86		3/8"BSPM	●	5710138274871	5710138274888			
	74			M22x1.5M	●	5710138274895	5710138274901			
		M24x1.5M		●	5710138274918	5710138274925				
40	94	ingen / none	40°	M10x1F	○	5710138274932	5710138274949	1250/18.000		
	110			M24x1.5F	●	5710138274956	5710138274963			
		112		1/4"BSPF	●	5710138274970	5710138274987			
	86			1/4"BSPM	●	5710138274994	5710138275007			
		118		3/8"BSPM	●	5710138275014	5710138275021			
	27			1/2"BSPM	●	5710138275038	5710138275045			
	ingen / none	M10x1F		○	5710138275052	5710138275069				
	27	M22x1.5M		●	5710138275076	5710138275083				
			M24x1.5M	●	5710138275090	5710138275106				

Andre gevind efter forespørgsel / Other connections available on request.
M = Han-gevind / Male thread - F = Hun-gevind / Female thread

●	Standard
○	Special