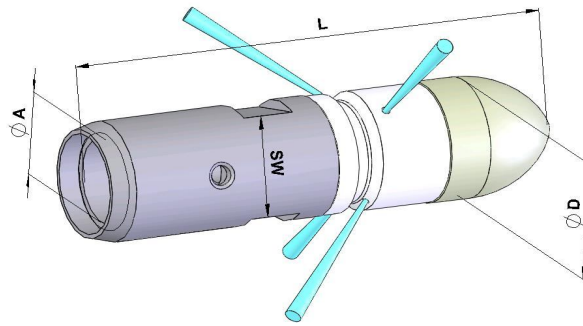


SIBR-Rotor



D mm	L mm	SW mm	A		Artikel-Nr. / part-no.			max. A. I. max.W.P. bar / PSI	
6	42	4	M5F		5710138271238	5710138271245	5710138271252	400 / 5.700	
8	44	6	M6F		5710138271269	5710138271276	5710138271283		
10	46	8	M7x1F	●	5710138271290	5710138271306	5710138271313	1000/15.000	
			1/16"NPTF	●	5710138271320	5710138271337	5710138271344		
			1/16"UNFMPLHF	○				1500/21.500	
			1/16"UNFMPRHF	○					
	48		5/16"UNFM	○	5710138271351	5710138271368	5710138271375	1000/15.000	
11	48	8	M8x1F	○	5710138271382	5710138271399	5710138271405	1250/18.000	
12	48	10	1/8"NPTF	●	5710138271412	5710138271429	5710138271436		
			1/8"BSPF	●	5710138271443	5710138271450	5710138271467		
	51		3/8"UNFMPLHF	○	5710138271474	5710138271481	5710138271498	1500/21.500	
			3/8"UNFMPRHF	○	5710138271504	5710138271511	5710138271528		
13	48	ingen / none	1/8"NPTF	●	5710138271535	5710138271542	5710138271559	1250/18.000	
			1/8"BSPF	●	5710138271566	5710138271573	5710138271580		
	51		3/8"UNFMPLHF	○	5710138271597	5710138271603	5710138271610	1500/21.500	
			3/8"UNFMPRHF	○	5710138271627	5710138271634	5710138271641		
15	53	13	M10x1F	○	5710138271658	5710138271665	5710138271672	1000/15.000	
16	53		1/8"BSPF	●	5710138271689	5710138271696	5710138271702		
18	57	16	1/4"NPTF	●	5710138271719	5710138271726	5710138271733	1000/15.000	
			1/4"BSPF	●	5710138271740	5710138271757	5710138271764		
				9/16"UNFMPLHF	○	5710138271771	5710138271788	5710138271795	1500/21.500
				9/16"UNFMPRHF	○	5710138271801	5710138271818	5710138271825	
20	60	17	M14x1F	○	5710138271832	5710138271849	5710138271856	1000/15.000	
22	66	19	1/4"BSPF	●	5710138271863	5710138271870	5710138271887		
			3/8"NPTF	●	5710138271894	5710138271900	5710138271917		
			3/8"BSPF	●	5710138271924	5710138271931	5710138271948		
28	74	25	1/4"BSPF	●	5710138271955	5710138271962	5710138271979	1250/18.000	
	78		1/2"NPTF	●	5710138271986	5710138271993	5710138272006		
	82	26	1/2"BSPM	●	5710138272013	5710138272020	5710138272037		
			3/8"BSPM	●	5710138272044	5710138272051	5710138272068		
	86	25	M22x1.5M	●	5710138272075	5710138272082	5710138272099		
			M24x1.5M	●	5710138272105	5710138272112	5710138272129		
74		M10x1F	○	5710138272136	5710138272143	5710138272150			
40	94	ingen / none	M24x1.5F	●	5710138272167	5710138272174	5710138272181	1250/18.000	
			1/4"BSPF	●	5710138272198	5710138272204	5710138272211		
	110	27	1/4"BSPM	●	5710138272228	5710138272235	5710138272242		
			3/8"BSPM	●	5710138272259	5710138272266	5710138272273		
			1/2"BSPM	●	5710138272280	5710138272297	5710138272303		
	86	ingen / none	M10x1F	○	5710138272310	5710138272327	5710138272334		
118	27	M22x1.5M	●	5710138272341	5710138272358	5710138272365			
		M24x1.5M	●	5710138272372	5710138272389	5710138272396			
50	96		M24x1.5M	●	5710138272402	5710138272419	5710138272426	1000/15.000	

Andre gevind efter forespørgsel / Other connections available on request.
M = Han-gevind / Male thread - F = Hun-gevind / Female thread

● Standard
○ Special