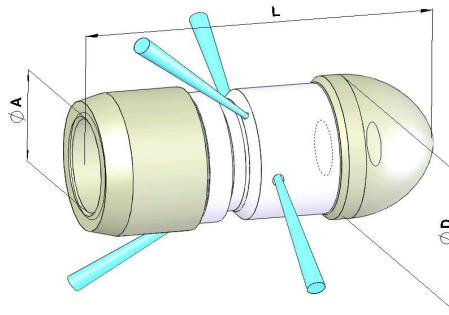


RD-SISF-Rotor



D mm	L mm	SW mm	a	A	Artikel-Nr. / part-no.		max. A.T. max.W.P. bar / PSI	
								
10	29	8	10°	M7x1F	●	5710138281794	5710138281800	1000/15.000
				1/16"NPTF	●	5710138281817	5710138281824	
				1/16"UNFMPLHF	○			1500/21.500
				1/16"UNFMPRHF	○			
11	29			5/16"UNFM	○	5710138281831	5710138281848	1000/15.000
				M8x1F	○	5710138281855	5710138281862	
12	30	10		1/8"NPTF	●	5710138281879	5710138281886	1250/18.000
				1/8"BSPF	●	5710138281893	5710138281909	
	32			3/8"UNFMPLHF	○	5710138281916	5710138281923	1500/21.500
				3/8"UNFMPRHF	○	5710138281930	5710138281947	
13	30	ingen / none		1/8"NPTF	●	5710138281954	5710138281961	1250/18.000
				1/8"BSPF	●	5710138281978	5710138281985	
	32			3/8"UNFMPLHF	○	5710138281992	5710138282005	1500/21.500
				3/8"UNFMPRHF	○	5710138282012	5710138282029	
15	38	13		M10x1F	○	5710138282036	5710138282043	1000/15.000
16				1/8"BSPF	●	5710138282050	5710138282067	
18	44	16	1/4"NPTF	●	5710138282074	5710138282081		
			1/4"BSPF	●	5710138282098	5710138282104		
			9/16"UNFMPLHF	○	5710138282111	5710138282128	1500/21.500	
20	52	17	9/16"UNFMPRHF	○	5710138282135	5710138282142		
			M14x1F	○	5710138282159	5710138282166	1000/15.000	
22	54	19	1/4"BSPF	●	5710138282173	5710138282180		
			3/8"NPTF	●	5710138282197	5710138282203		
			3/8"BSPF	●	5710138282210	5710138282227		
			1/4"BSPF	●	5710138282234	5710138282241	1250/18.000	
28	62	25	1/2"NPTF	●	5710138282258	5710138282265		
			1/2"BSPM	●	5710138282272	5710138282289		
	70	26	3/8"BSPM	●	5710138282296	5710138282302		
			M22x1.5M	●	5710138282319	5710138282326		
	74	25	M24x1.5M	●	5710138282333	5710138282340		
			M10x1F	○	5710138282357	5710138282364		
40	80	ingen / none	M24x1.5F	●	5710138282371	5710138282388		1250/18.000
			1/4"BSPF	●	5710138282395	5710138282401		
	96	27	1/4"BSPM	●	5710138282418	5710138282425		
			3/8"BSPM	●	5710138282432	5710138282449		
	98	27	1/2"BSPM	●	5710138282456	5710138282463		
			M10x1F	○	5710138282470	5710138282487		
	72	ingen / none	M22x1.5M	●	5710138282494	5710138282500		
			M24x1.5M	●	5710138282517	5710138282524		

Andre gevind efter forespørgsel / Other connections available on request.
M = Han-gevind / Male thread - F = Hun-gevind / Female thread

●	Standard
○	Special