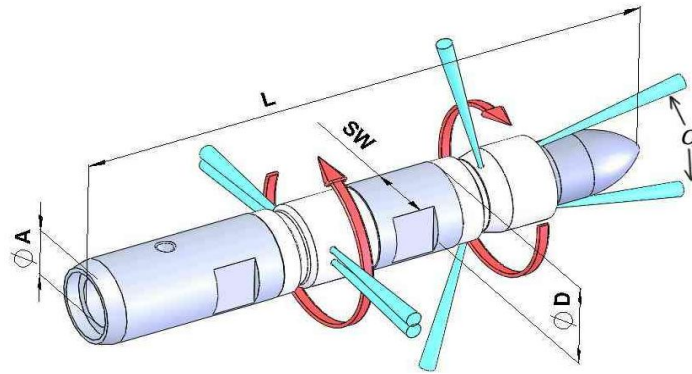


TNSF-Rotor



D mm	L mm	SW mm	a	A	Artikel-Nr. / part-no.		max. A.T. max.W.P. bar / PSI	
								
10	68	8	10°	M7x1F	●	5710138279203	5710138279210	1000/15.000
				1/16"NPTF	●	5710138279227	5710138279234	
	1/16"UNFMPLHF			○			1500/21.500	
	1/16"UNFMPRHF			○				
11	70	72		5/16"UNFM	○	5710138279241	5710138279258	1000/15.000
	72			M8x1F	○	5710138279265	5710138279272	1250/18.000
12	72	10		1/8"NPTF	●	5710138279289	5710138279296	
				1/8"BSPF	●	5710138279302	5710138279319	
	78			3/8"UNFMPLHF	○	5710138279326	5710138279333	1250/18.000
				3/8"UNFMPRHF	○	5710138279340	5710138279357	
13	72	ingen / none		1/8"NPTF	●	5710138279364	5710138279371	1500/21.500
				1/8"BSPF	●	5710138279388	5710138279395	
	78		3/8"UNFMPLHF	○	5710138279401	5710138279418	1000/15.000	
			3/8"UNFMPRHF	○	5710138279425	5710138279432		
15	78	13	M10x1F	○	5710138279449	5710138279456	1500/21.500	
16			1/8"BSPF	●	5710138279463	5710138279470		
18	84	16	1/4"NPTF	●	5710138279487	5710138279494	1000/15.000	
			1/4"BSPF	●	5710138279500	5710138279517		
	88		9/16"UNFMPLHF	○	5710138279524	5710138279531	1500/21.500	
			9/16"UNFMPRHF	○	5710138279548	5710138279555		
20	92	17	M14x1F	○	5710138279562	5710138279579	1000/15.000	
22	98	19	1/4"BSPF	●	5710138279586	5710138279593		
			3/8"NPTF	●	5710138279609	5710138279616		
			3/8"BSPF	●	5710138279623	5710138279630		
28	108	25	30°	1/4"BSPF	●	5710138279647	5710138279654	1250/18.000
	112			1/2"NPTF	●	5710138279661	5710138279678	
	120	26		1/2"BSPM	●	5710138279685	5710138279692	
				3/8"BSPM	●	5710138279708	5710138279715	
	126	25		M22x1.5M	●	5710138279722	5710138279739	
				M24x1.5M	●	5710138279746	5710138279753	
108		M10x1F	○	5710138279760	5710138279777			
40	148	ingen / none	40°	M24x1.5F	●	5710138279784	5710138279791	1250/18.000
	160			1/4"BSPF	●	5710137279807	5710138279814	
		1/4"BSPM		●	5710138279821	5710138279838		
		165		3/8"BSPM	●	5710138279845	5710138279852	
	140	ingen / none		1/2"BSPM	●	5710138279869	5710138279876	
				M10x1F	○	5710138279883	5710138279890	
	175	27		M22x1.5M	●	5710138279906	5710138279913	
M24x1.5M			●	5710138279920	5710138279937			

Andre gevind efter forespørgsel / Other connections available on request.
M = Han-gevind / Male thread - F = Hun-gevind / Female thread

●	Standard
○	Special